

AGC Range Rules and Regulations

www.associatedgunclubs.org

Events Line	Office Line	Trap Range
410-461-9855	410-461-8532	410-461-9864

Safety Rules for All Ranges

- 1) On the firing line, all muzzles must be pointed down range at all times, including when casing or uncasing firearms. Muzzle Loaders may be positioned upright while loading and during cease fires.
- 2) Any round fired on any range must land in the designated impact area for that shooter's firing line position.
- 3) When not in use, firearms must be unloaded with actions open. Firearms are considered loaded if they have fired cases or live rounds in the chamber, cylinder or attached magazine. Muzzleloaders are considered loaded if they have bullets, powder, caps, or ignition charges in the pan, nipple or barrel.
- 4) A mandatory cease-fire normally occurs on each hour and half-hour, or at any other time at the discretion of a range officer. A cease-fire may also be called at any other time provided it is agreed to by all shooters on the firing line. On the firing line, guns must not be handled in any way during a cease-fire. Only black powder shooters must be extended the courtesy to fire any remaining rounds. Until the "all clear" is given, no one may go forward of the firing line. The firing line is considered the forward edge of the concrete pad.
- 5) During a cease fire, all firearms must be either cased, racked, or have an open action indicator installed.
- 6) Firearms may not be handled outside of range hours. During an AGC club or sanctioned event competitors may begin their preparation period before range hours.
- 7) No incendiary or tracer ammunition is allowed.
- 8) Targets must not be capable of deflecting a bullet at an unsafe angle, and may not be placed on the impact area. Bullets must be able to easily pass through targets with minimal deflection. Glass targets are prohibited.
- 9) Members are responsible for picking up all of their trash, brass, wads, target remnants and other debris.
- 10) Any firearm used on the AGC property must be legally owned and operated.
- 11) Fully automatic fire and the use of holsters are only permitted under the direction of the fully auto and holster committees.
- 12) It is strongly recommended that eye and ear protection be worn at all times while on AGC property. You assume all responsibility for any injury that you incur by not wearing adequate eye and ear protection.
- 13) Gun powder may only be carried into a building if sealed in a safe container. Powder containers must be sealed when not in use. Smoking is prohibited within 15 feet of black powder. A black powder firearm must be charged from a separate measure, not directly from a flask or powder horn. Before initially loading a muzzle loading firearm, a cap/ignition charge must be fired at the impact area.
- 14) Firearms, powder, caps/primers, and ammunition cannot be stored on AGC property. It is permissible for shotgun shells sold to trap shooters, to be securely stored on AGC property.

Rules for Specific Ranges

Pistol Range - 50 yard

- 15) This range is designated for handguns or guns firing "standard" handgun cartridges.
- 16) Firing from a prone or creedmoor position is prohibited
- 17) When using AGC target frames, only single center bull targets are allowed

Barnes Range -100 yard

- 18) Positions to the left of the orange pole are opened at the discretion of the range officer on duty.
- 19) In the bench rest only area (red tables), everyone must be behind the red zone while the line is hot.

200 yard Range

- 20) The 50, 100, and 150 meter impact areas are for silhouette/hunting handguns, shooting at silhouette targets only.
- 21) It is only permissible to place your own target frame at or behind the pits.
- 22) The flag must be posted when the range is "clear". People may only stay in the pits, so long as one person has been appointed to oversee the operation of the range.
- 23) When using AGC target frames, target bulls can't be within 24" of the edge of the frame.

Trap Range

- 24) Only shotguns firing ammunition with a maximum powder load of 3 dram equivalent, a shot size of number 7-1/2, 8 or 9, and carrying a maximum muzzle velocity of 1200 fps, will be permitted. No Slugs permitted
- 25) No firing is permitted in front of the 16 yard line. There shall be no more than 2 yards between adjacent shooters. Personal or rented traps must be positioned behind the firing line.
- 26) No one may go forward of any firing line, until ALL trap fields are "clear".

Bow & Arrow Range

- 27) Only field point, or target point arrows may be shot at AGC targets.
- 28) Shooters must designate a common firing line.
- 29) All relevant range rules are still applicable, by substituting in archery terminology.

Indoor Pellet Range

- 30) This range is designated only for air powered guns, firing .177 or .22 caliber blunt nose lead pellets. The maximum allowable muzzle velocity is 1000 fps for .177 caliber and 800 fps for .22 caliber pellets.
- 31) Only paper targets are permitted.
- 32) Pellet traps must be placed to match the position of the shooter.
- 33) Muzzles must be pointed at targets when loading.

Operational Rules

Outdoor ranges hours

Weekdays 8:00 am to 8:00 pm or dusk
Weekends 10:00 am to 8:00 pm or dusk

Indoor pellet range hours

Everyday 8:00 am to 11:00 pm

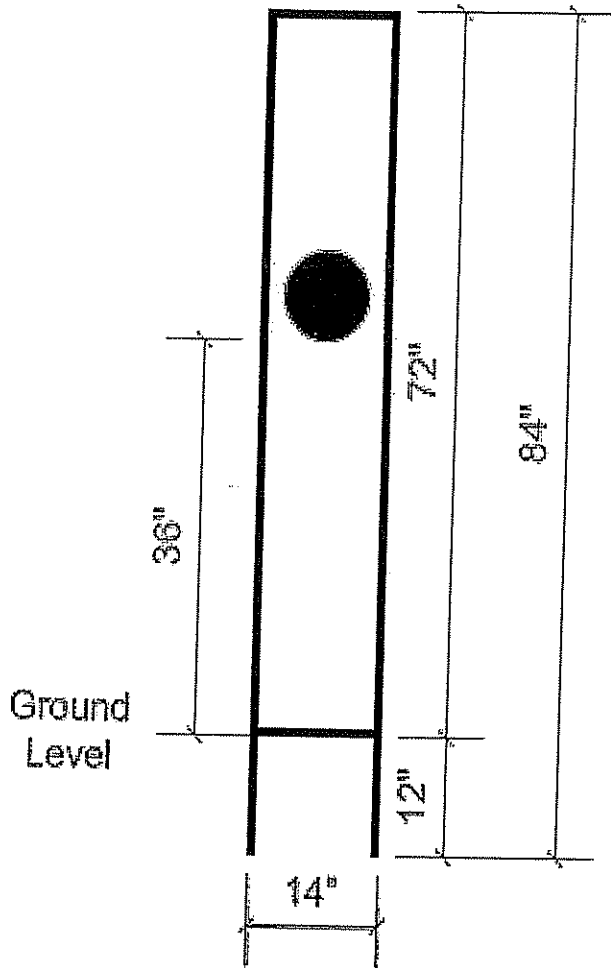
- 34) Ranges will be open everyday except for Christmas and New Year's Day. Trap Ranges may remain open until 9:00 pm on Wednesdays. Dusk will be determined by the range officer. Use of any range is prohibited if weather or other conditions prevent full visibility of that range.
- 35) Any range may be closed to non-competitors during a scheduled AGC sanctioned event. Ranges will not be closed during Hunter Sight-In.
- 36) Your range badge must be worn visibly while on the AGC property. Range Badges may not be loaned or transferred.
- 37) Badge holders may only occupy one position on the firing line. Adult range badge holders are permitted to bring guests. The badge holder must supervise their guests at all times. The badge holder and guests may only have one person shooting at a time. The badge holder must explain pertinent rules and regulations to their guests. All minors anywhere on the property of the AGC must be supervised by an adult at all times. Junior range badge holders approved by the Trustees may use the range without adult supervision.
- 38) Pets must be leashed at all times while on AGC property.
- 39) Alcohol consumption is not permitted in the vicinity of an active range. Alcohol may only be consumed after you have secured your firearms and finished shooting for the day. Alcohol may not be consumed in areas obviously visible from public streets. Anyone who is intoxicated or appears to be under the influence of drugs will not be permitted on AGC property.

Rule Enforcement

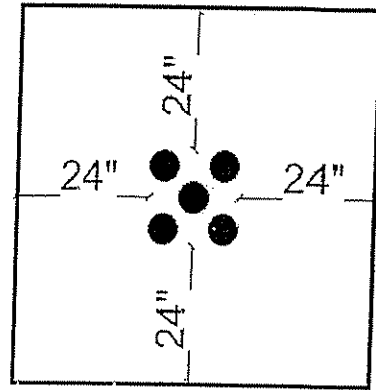
- 40) Persons witnessing an infraction should first bring it to the attention of the offender. If the infraction is not corrected, the witness should then inform the AGC range officer. Enforcement of the range rules is granted the AGC executive committee, AGC range officers, and any AGC sanctioned Match Director. Range Officers have the right to stop any action they feel is unsafe or violates the range rules until the matter can be ruled upon by the AGC executive committee. Range badge privileges may temporarily be revoked until the infraction is reviewed by the AGC executive committee.
- 41) With a preponderance of the evidence, a simple majority vote of the AGC executive committee may impose disciplinary actions upon any offenders. If imposed, disciplinary actions may range from a warning to permanent expulsion from AGC facilities. Appeals will be heard by the AGC trustees, and disciplinary actions may be modified by a simple majority vote.
- 42) By authority of the AGC trustees, these range rules govern the actions of all people on AGC property. Any rule may be modified or temporarily suspended by a simple majority vote of the AGC trustees.

Target Frame Information

100 yrd Range
Sample Frame Design
Made from 1"x2" wood



200 yrd Range
AGC Target Frame



Pistol Range
AGC Metal Target Frame
Cardboard not provided

